

B-1150SS (1300/1500/1650) ICE STORAGE BINS

Item # _____

Project: _____

Qty: _____

*AutoCad available on KCL

B1150SS
(1300/1500/1650)
1/06
Item # 13178

B-1150SS DIMENSIONS W x D x H

48 x 41 x 60*
*with 6" legs

B-1300SS DIMENSIONS W x D x H

48 x 41 x 66*
*with 6" legs

B-1500SS DIMENSIONS W x D x H

60 x 41 x 62*
*with 6" legs

B-1650SS DIMENSIONS W x D x H

60 x 41 x 66*
*with 6" legs

Depth includes 10"
for door installation



B-1150SS

Shown



B-1300SS

Shown



B-1500SS

Shown



B-1650SS

Shown

- Available in the stainless steel "SS" exterior style
- SS = Stainless steel front, sides, back and bottom
- Easy cleaning and long lasting attractive appearance
- Seamless polyethylene bin liner
- Foamed-in-place polyurethane insulation, in all bin walls and bottom, which provides maximum ice preservation
- View windows provide instant inspection and thermal break
- Pouch style insulated door prevents condensation while providing maximum access and minimal spillage
- Sealed door gasket reduces risk of airborne bacteria
- All bins include Universal Top Kit - note application guide to verify fit
- 6" adjustable stainless steel legs
- 82 oz. scoop



Warranty

Valid in United States, Canada, Puerto Rico, & U.S. Territories. Contact factory for warranty in other countries.

Five Year - Parts & Labor.



Hoshizaki

DIMENSIONS

W x D x H

B-1150SS
48 x 41 x 60

B-1300SS
48 x 41 x 66

B-1500SS
60 x 41 x 62

B-1650SS
60 x 41 x 66

ICE STORAGE BINS

- Ice storage capacity from 1150 lbs. to 1605 lbs.
- Available in stainless steel "SS" exterior style
- "SS" = Stainless steel front, back, sides and bottom
- Depth including 10" for door installation

B-1150SS (1300/1500/1650) ICE STORAGE BINS

SPECIFICATIONS

Model #	Ice Storage Capacity	Shipping Weight
B-1150SS	1150	345
B-1300SS	1275	365
B-1500SS	1500	395
B-1650SS	1605	415

ICE MACHINE MODEL APPLICATION

Width for Ice Machine	48" Width Bin B-1150/1300SS	60" Width Bin B-1500/1650SS
22" KM-280M KM-320M KM-500M KM-630M F-450M F-801M F-1001M	Universal Top Kit	N/A
30" KM-900M KM-1300M KM-1600M KM-1601M KML Series F-1500M F-2000M KMD Series*	Universal Top Kit	Universal Top Kit Need HS-2111
42" KMD-900MAH	Universal Top Kit	N/A
44" 2 KM-280M 2 KM-320M 2 KM-500M 2 KM-630M 2 F-450M 2 F-801M 2 F-1001M	N/A	Universal Top Kit
48" KM-1300S KM-1600S KM-1800S KM-2000S KM-2400S	Universal Top Kit	Universal Top Kit
60" 2 KM-900M 2 KM-1300M 2 KM-1600M 2 KM-1601M 2 KML Series 2 KMD Series* 2 F-1500M 2 F-2000M	N/A	Universal Top Kit

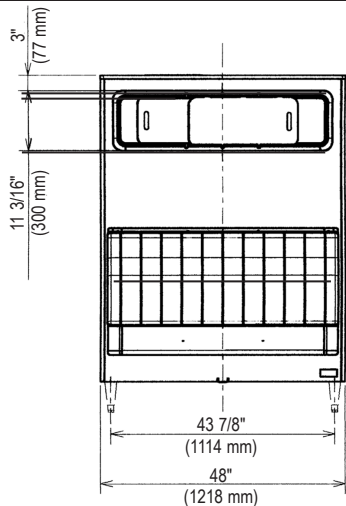
* Excludes KMD-900MAH

• The B-1150SS, B-1300SS, B-1500SS and B-1650SS are equipped with a universal top kit

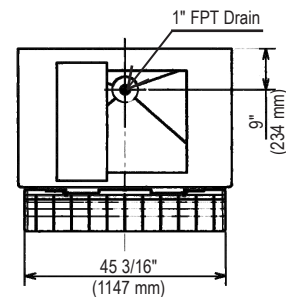
PLUMBING

- 1" FPT Drain

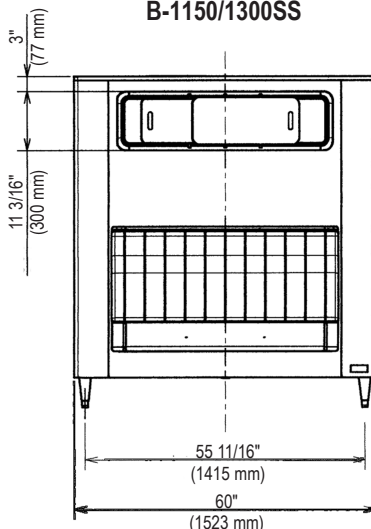
© HOSHIZAKI AMERICA, INC.



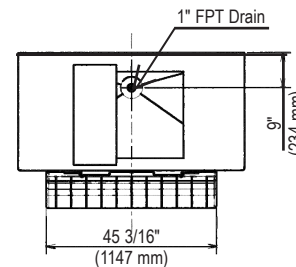
FRONT VIEW
B-1150/1300SS



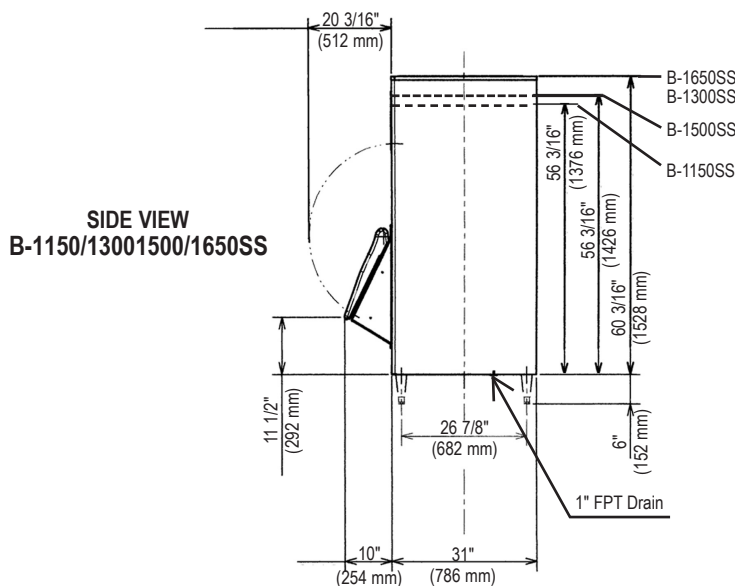
TOP VIEW
B-1150/1300SS



FRONT VIEW
B-1500/1650SS



TOP VIEW
B-1500/1650SS



SIDE VIEW
B-1150/1300/1500/1650SS

